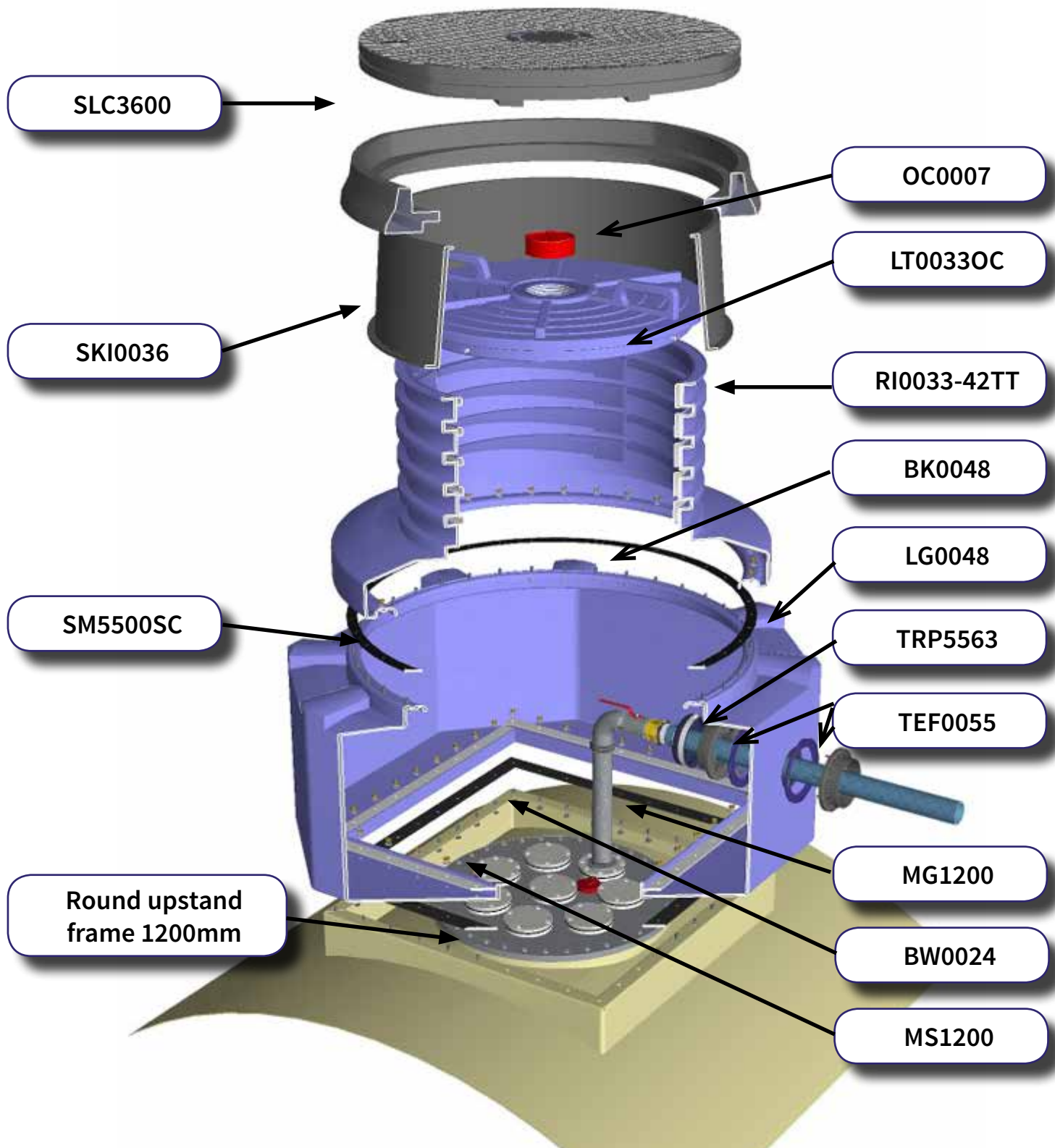
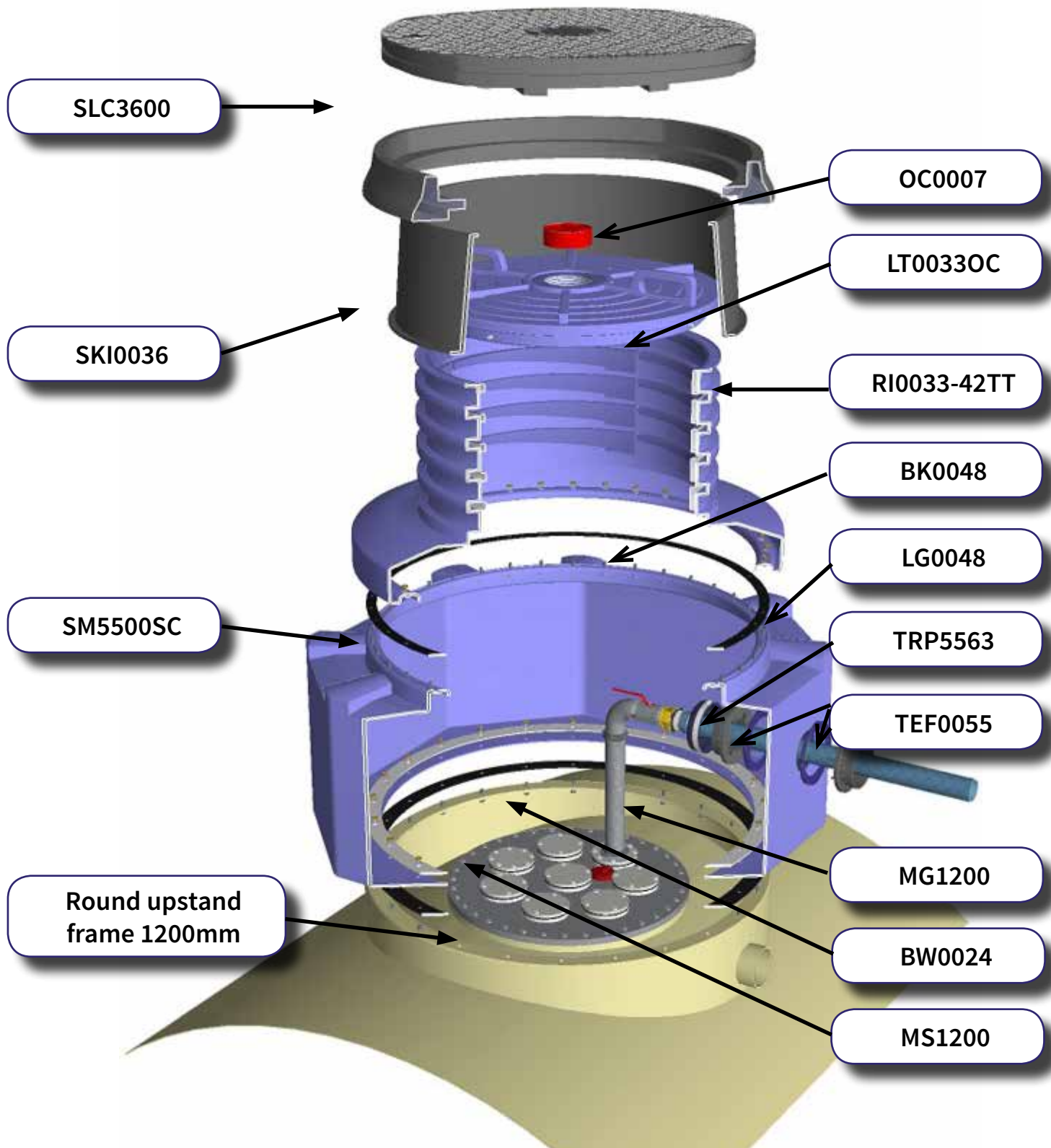


Datasheet: Tank Sump - Street cover kit SM533TTFR-SL3600



The SM5500 sump base is available with plain bottom for on site cut out to match the provided tank frame.
If required a composite street cover with central dipcap SL3600D is available.

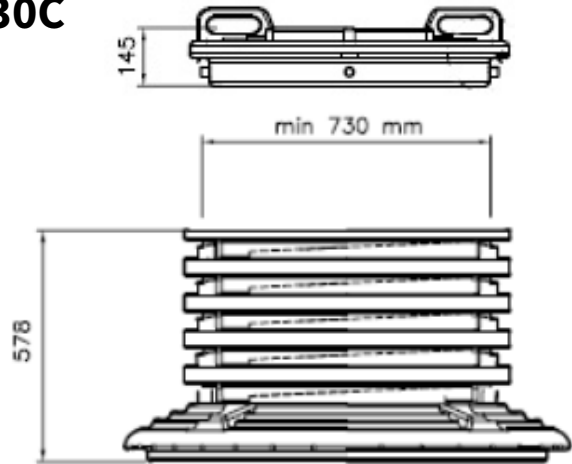
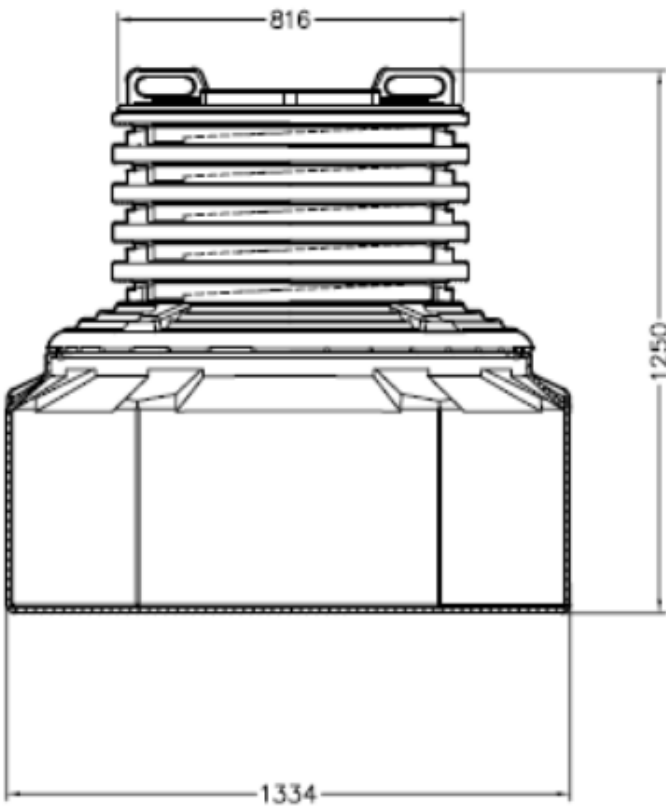
Datasheet: Tank Sump - Street cover kit SM5533TTSC-SL3600



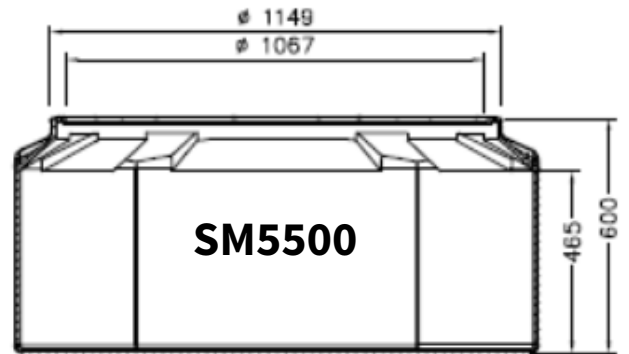
The SM5500 sump base is available with plain bottom for on site cut out to match the provided tank frame.
If required a composite street cover with central dipcap SL3600D is available.

Datasheet: Watertight tank access chambers

LT00330C



RI0033-42TT



Installation drawings available on request



Datasheet: Watertight tank access chambers

Product Code	Description
CL0800..	Central Dip cap for street covers with central dip hole YE : Yellow OR : Orange BL : Black GR: Green PU : Purple WH : White MA: Auburn RD : Red BE : Blue
SLC3600FR SL3600CVR SL3600DCCVR SKI0036	Composite Street Cover, EN124 Class C (25ton) Composite frame for 36" cover Composite cover 36", without central dipping opening Composite cover 36", with central dipping opening Skirt for FR3600 frame; 300mm deep
SM5500 SM5500FR SM5500SC LG0048 BK0048 RI0033-42TT LT0033OC OC0007	Tank Sump Octagonal Base, 55" - 1,35m, plain bottom Octagonal Base, 55" - 1,35m, square bottom cut for upstand frame 960 x 960mm Octagonal Base, 55" - 1,35m, round bottom cut for upstand frame 1.200mm Nitrile Gasket, base to riser Bolt kit, base to riser Round Corrugated Riser, O.D. 33" - 0,83m, height 23" - 0,59m Lid O.D. 33" - 0,83m with central observation cap OC0007 Observation cap for LT0033OC lid
MG0960 MS0960 BW0036	Base to Tank installation kit, for square upstand frame 960x 960mm Square Nitrile Gasket, 960 x 960mm Compression strips (4) for 960 x 960mm frame Bolt kit, Base to Tank Upstand Frame
MG1200 MS1200 BW0024	Base to Tank installation kit, for round upstand frame 1.200mm Round Gasket, 1.200mm Compression strip for 1.200mm round frame Bolt kit, Base to Tank Upstand Frame

For the pipe entry fittings consult the EASY FIT brochure.



CGH Belgium nv
 Rijksweg 10 C
 B- 2880 BORNEM
 Tel.: +32 (0)3 459 80 76
 E-mail: info@cghbelgium.com

www.cghbelgium.com

Datasheet SM5533TT -EN- 20150831
 Non contractual document