

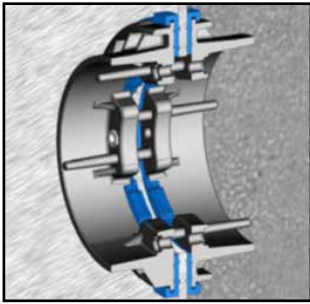
Easy Fit Pipe entry fittings



- Only one hole to drill!
- Installs in steel, concrete, PE and GRP sump walls
- Approved for all new fuels, ethanol, E85, Bio-diesel
- Boots available to seal all pipe brands and diameters
- Easy, one man installation
- Double pipe sealing possible
- Angled pipe entries possible exceeding 12°

 **CGH**
Belgium

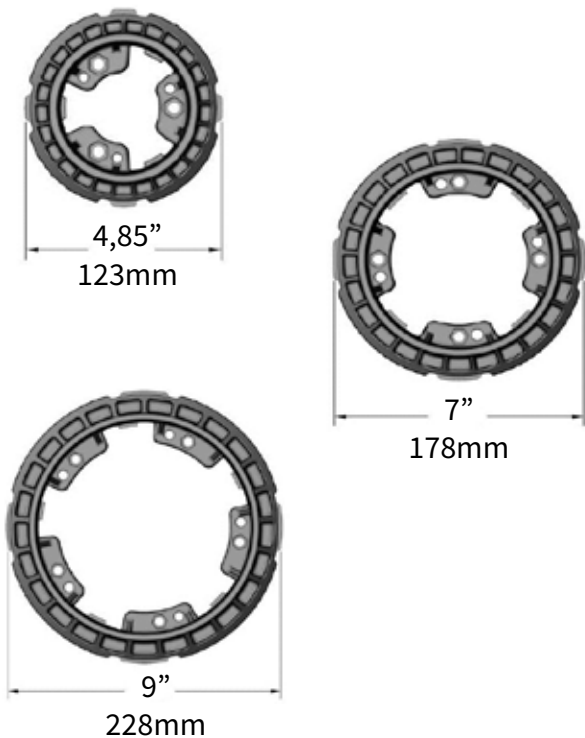
For all pipe brands and sizes



“Easy Fit” pipe fittings require only one hole to drill in the sump wall!

Each “Easy Fit” cuff comes with a Fortex® gasket, snapped on the body flange. The outside installed cuff is fitted with hex nuts. The inside installed cuff is fitted with alignment (locating) pins for easy, one man installation. The two cuffs are bolted together with the bolts tighten at max. 60 inch lbs or 0,7 kg.m.

“EASY FIT” CUFFS



TEF0035	“Easy Fit” cuff body, small size model
	2 X small cuff bodies
	2 X flat clip-on gaskets
	3 X imbedded nuts
	3 X 2.5" stainless Alien head bolts
TEF0055	"Easy Fit" cuff body, medium size model
	2 X medium cuff bodies
	2 X flat clip-on gaskets
	4 X imbedded nuts
	4 X 2.5" stainless Alien head bolts
TEF0075	"Easy Fit" cuff body, large size model
	2 X large cuff bodies
	2 X flat clip-on gaskets
	5 X imbedded nuts
	5 X 2.5" stainless Alien head bolts

Use the following tools (hole saw & wrench)



To install	Product code	Description
TEF0035	HS3125	Hole saw 3 1/8" - 80mm
TEF0055	HS5018	Hole saw 5 1/8" - 130mm
TEF0075	HS6058	Hole saw 6 5/8" - 168mm
For cuffs	ACB034	Allen wrench 3/16, long model

Easy Fit



FORTEX® flexible boots

Specifications

Boots for the small size cuff bodies TEF0035	
TRI3522	For a pipe with O.D. 22mm - Composed of TRP3535 + reducing donut
TRI3525	For a pipe with O.D. 25mm - Composed of TRP3535 + reducing donut
TRI3532	For a pipe with O.D. 32mm - Composed of TRP3540 + reducing donut
TRP3535	For a pipe with O.D. 35mm
TRP3540	For a pipe with O.D. 40mm
TRPC35	Cap to plug the cuff body TEF0035
Boots for the medium size cuff bodies TEF0055	
TRP5550	For a pipe with O.D. 50mm
TRP5563	For a pipe with O.D. 63mm
TRP5563A	For a pipe with O.D. 63mm - With air test valve
TRP5575	For a pipe with O.D. 75mm
TRP5575A	For a pipe with O.D. 75mm - With air test valve
TR5584	For a PE flexible duct with O.D. 90mm
TRP5590	For a pipe with O.D. 90mm
TRP5590A	For a pipe with O.D. 90mm - With air test valve
TRPD90	Seal for 3,5" secondary duct SP3501
TRP5596	For donuts with O.D. 96 mm
TRP5596A	For donuts with O.D. 96 mm - With air test valve
	To seal SP4501 duct externally to the sump wall
TRP55117	For 4,5" secondary duct - With double Nylon clamps
TRP55117S	For 4,5" secondary duct - With Steel clamps
TRPD117	Seal for 4,5" secondary duct SP4501
TRPC55	Cap to plug the cuff body TEF0055
Boots for the large size cuff TEF0075	
TRP7590	For a pipe with O.D. 90 mm pipe
TRP7590A	For a pipe with O.D. 90 mm pipe - With air test valve
TRP75110	For a pipe with O.D. 110 mm pipe
TRP75110A	For a pipe with O.D. 110 mm pipe - With air test valve
TRP75125	For a pipe with O.D. 125 mm pipe
	To seal SP6001 duct externally to the sump wall
TRP75145	For 6" secondary duct - With double Nylon clamps
TRPD145	Seal for 6" secondary duct SP6001
TRPC75	Cap to plug the cuff body TEF0075

Easy Fit



Pipe entry fittings

General description

To avoid product leaking out of the tank sump or ground water entering in the tank sump, tight pipe entry fittings must be used. Pipe entry fittings shall be composed of two parts:

- A cuff body installed into the tank sump wall.
- A flexible boot installed on the cuff to seal the entering pipe.



The cuff body shall meet following min. requirements:

- Being installable into PE, GRP, Steel or Concrete chamber walls.
- Being independent of the thickness of the access chamber wall.
- Requiring only one hole to drill in the chamber wall.
- Having large, inside and outside sealing gaskets, in a material other than rubber.
- Providing an outside cuff for possible double sealing of the pipe.
- Cuff body tightening, from the inside of the chamber, by means of stainless steel bolts & nuts.
- Manufactured in a material (Zytel or similar material) that offers long term mechanical integrity and that is compatible with all fuels, Ethanol mixtures up to E85 and AdBlue.

The flexible boots shall meet following min requirements:

- Boots shall seal all pipe types (PE, Steel, corrugated ducts) and pipe diameters commonly used in service station construction.
- Manufactured in material ForTex® that offers:
 - Long term flexibility and mechanical integrity
 - Compatible with all fuels, Ethanol mixtures up to E85 and AdBlue.
 - Resists UV rays and Ozone.
- Material must carry a third party approval (UL Listing or equivalent).
- The boot must provide enough flexibility for max. 12° angled pipe entry.
- Have stainless steel clamps for boots installed inside the access chamber.
- Have Nylon straps in case a boot is installed on the outside cuff of the chamber.
- Being equipped with an air test valve when eventually required for the double wall pipe system.



CGH Belgium nv
Rijksweg 10 C
B- 2880 BORNEM
Tel.: +32 (0)3 459 80 76
E-mail: info@cghbelgium.com

www.cghbelgium.com

Easy Fit - EN- 20150715
Non contractual document